

MARCOS DE ALUMINIO EXTENSIBLES

EXTENDABLE ALUMINIUM FRAMES

PUERTA ABATIBLE
FOLDING DOOR 290

SISTEMA CORREDERO
SLIDING DOOR 298

SISTEMA ANTIPILLADEDOS
SAFETY GASKET 308

PUERTA VAIVEN
REVOLVING DOOR 310

MARCO EMPLOMADO
LEAD REINFORCED FRAME 312

DIVISIONES HORIZONTALES
HORIZONTAL DOOR DIVISION 314

DIVISIONES VERTICALES
VERTICAL DOOR DIVISION 316



BOX

9

BOX

7

BOX

5

3

1



BOX

10

BOX

8

BO

6

4

2

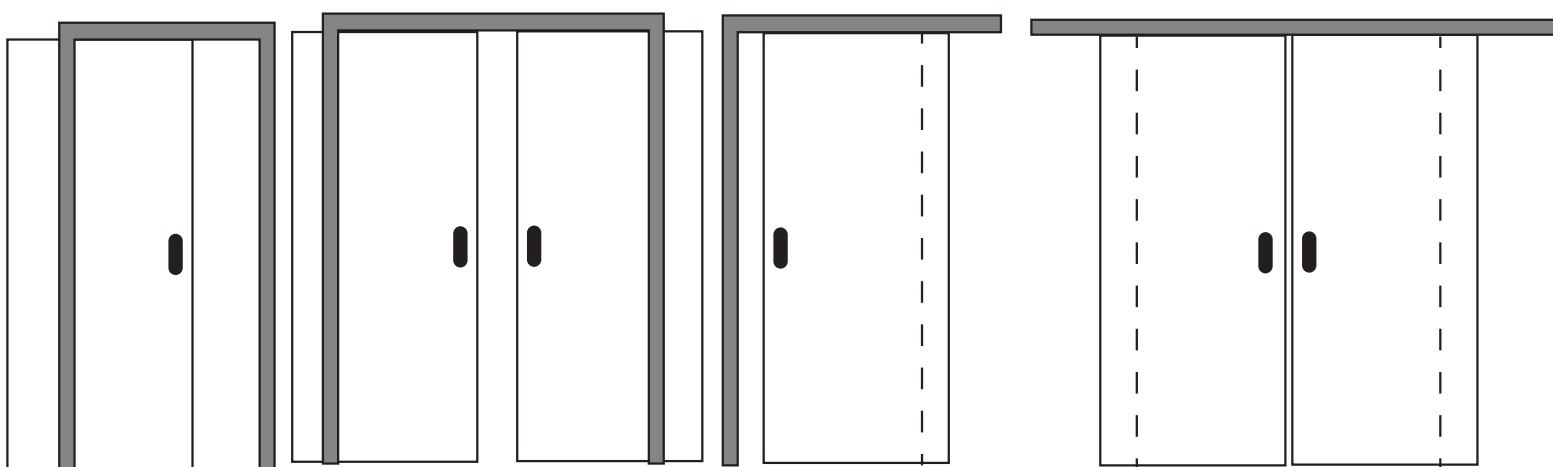
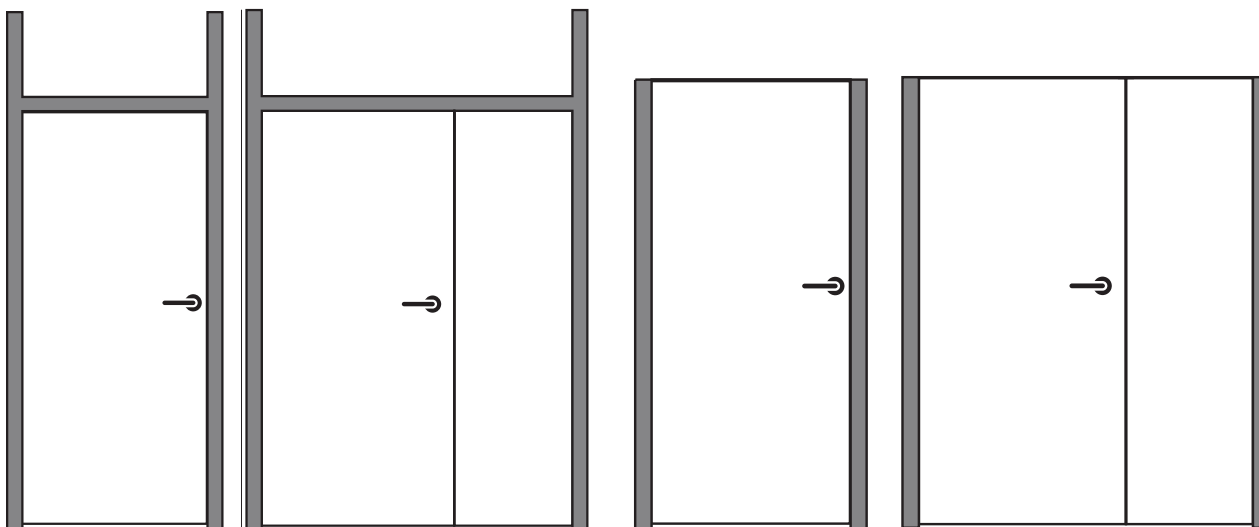
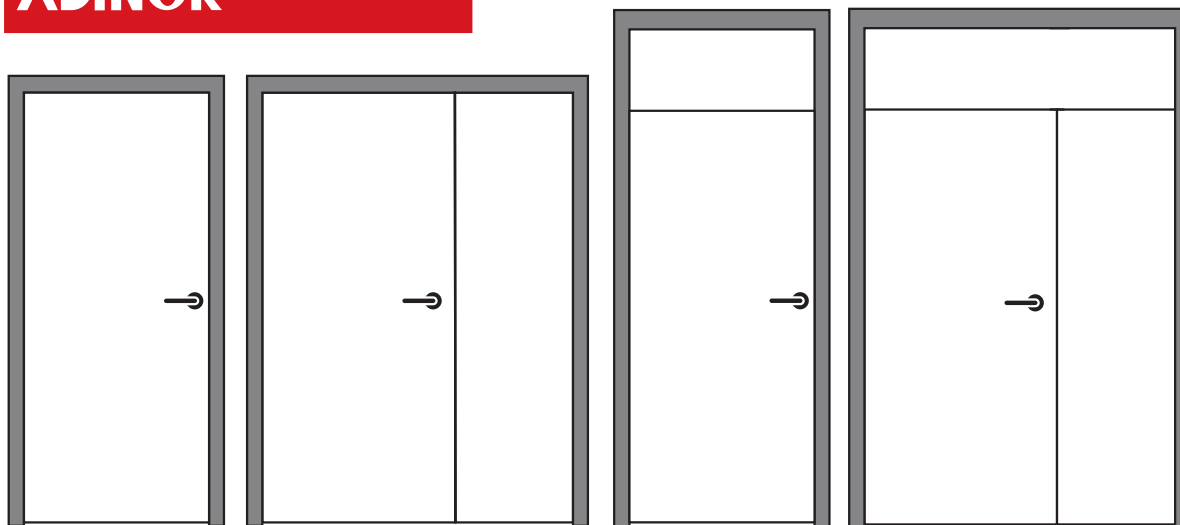


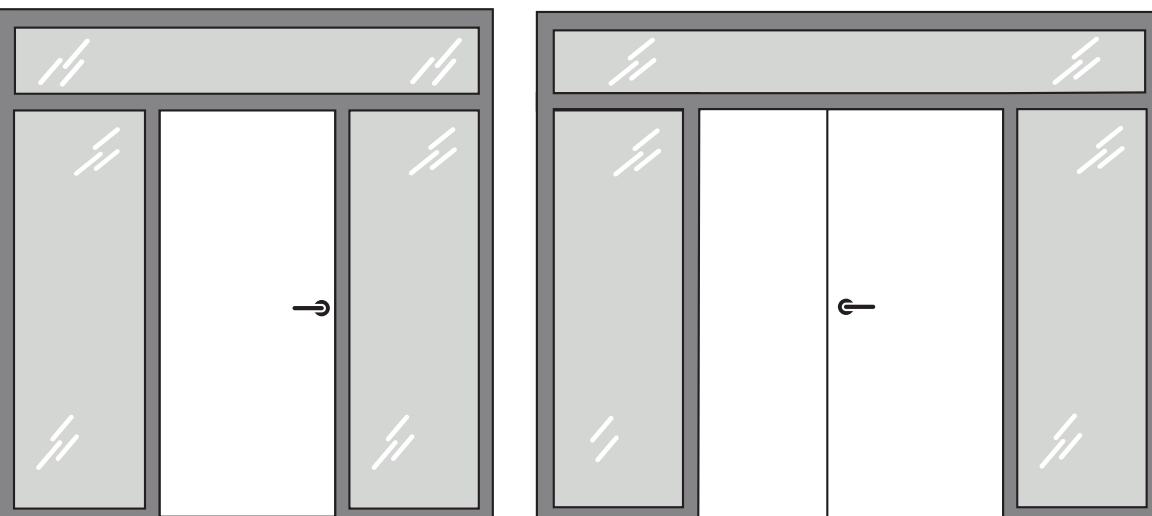
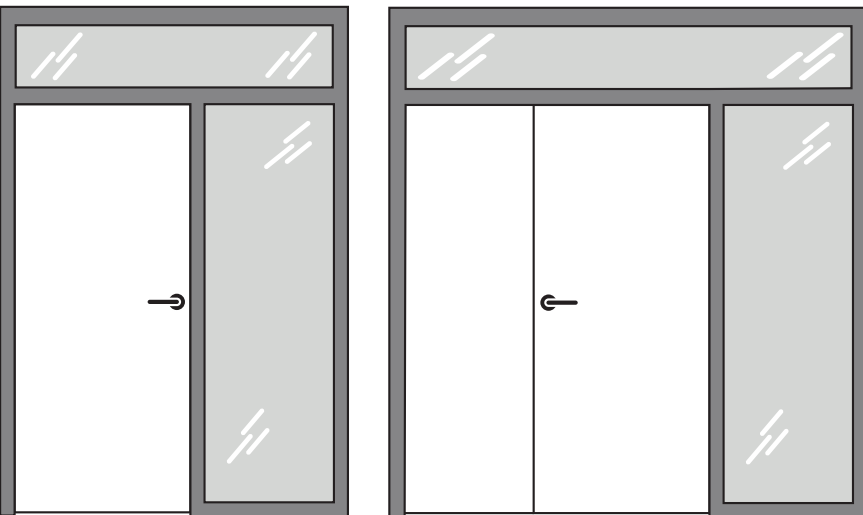
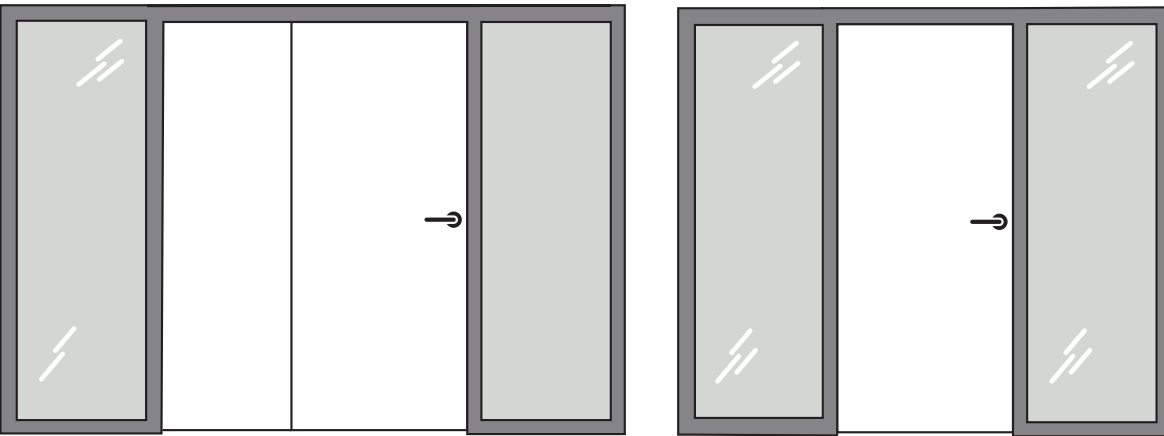
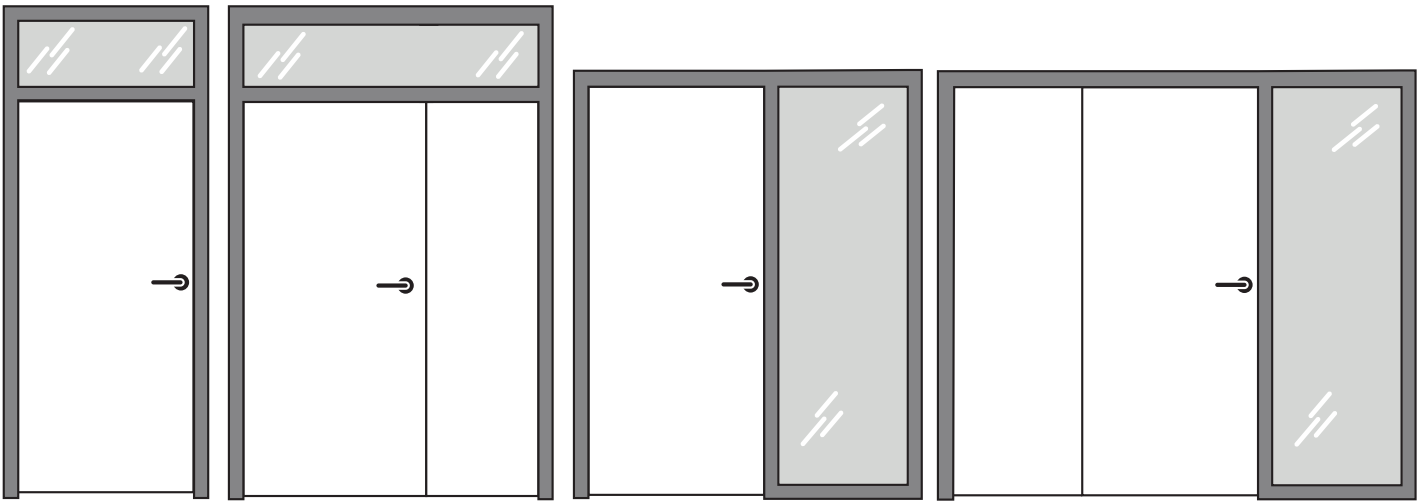


TIPOS DE MARCOS

ALUMINIUM FRAMES

ADINOR

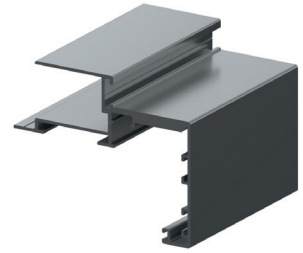
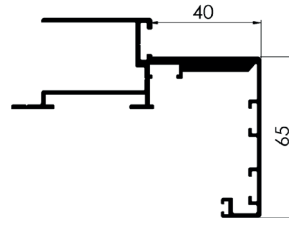




PUERTA ABATIBLE FOLDING DOOR ADINOR

MARCO PARA HOJA 40mm

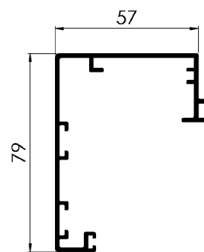
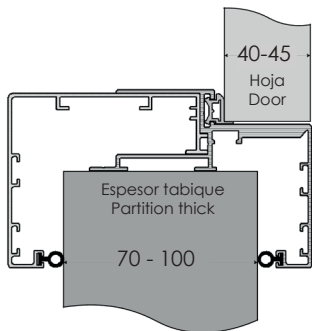
40 mm ALUMINIUM FRAME



Calculo medida Puerta:
Anchura Puerta = Anchura hueco luz obra - 60mm
Altura Puerta = Altura hueco luz obra - 40mm

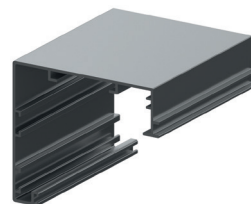
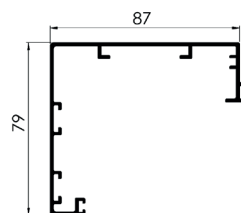
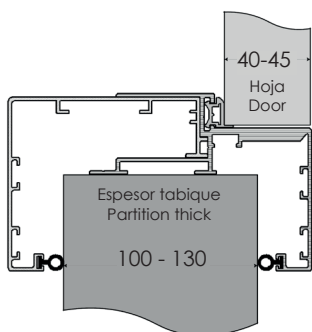
EXTENSIÓN "S", DISTANCIA 70-100mm

70-100mm EXTENSIBLE ALUMINIUM FRAME "S"



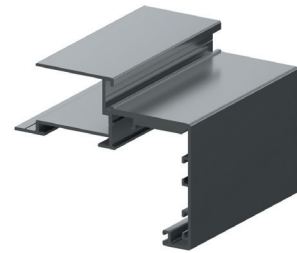
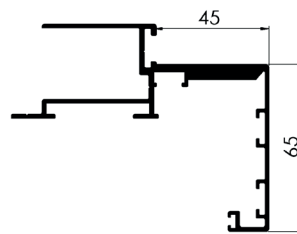
EXTENSIÓN "M", DISTANCIA 100-130mm

100-130mm EXTENSIBLE ALUMINIUM FRAME "M"



MARCO PARA HOJA 45mm

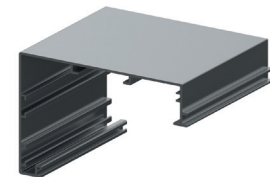
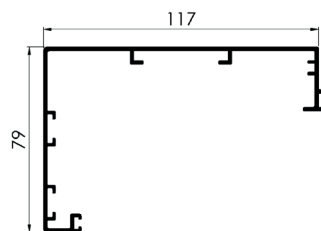
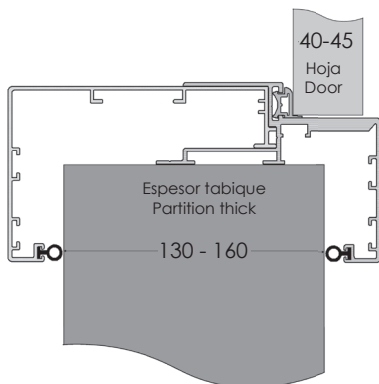
45 mm ALUMINIUM FRAME



Door measurement calculation:
Door width = Opening width - 60mm
Door height = Opening height - 40mm

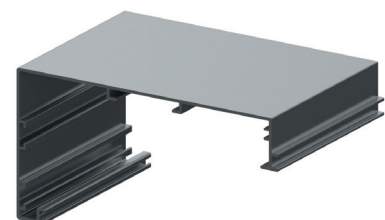
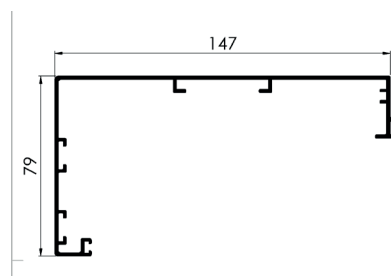
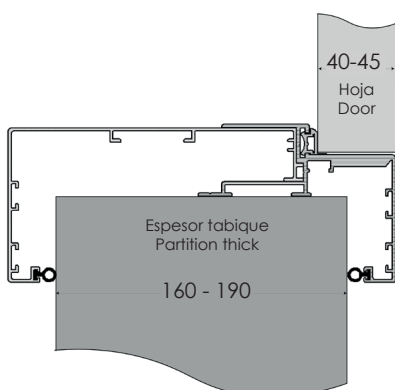
EXTENSIÓN "L", DISTANCIA 130-160mm

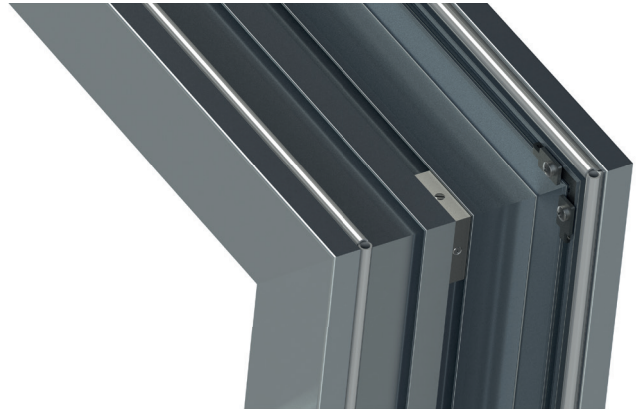
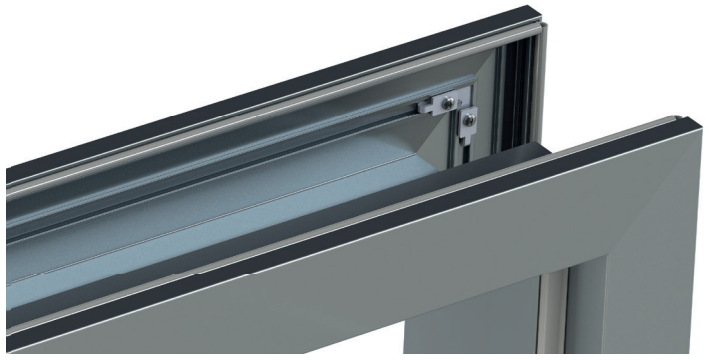
130-160mm EXTENSIBLE ALUMINIUM FRAME "L"



EXTENSIÓN XL, DISTANCIA 160-190mm

160-190mm EXTENSIBLE ALUMINIUM FRAME "XL"







MARCO DE ALUMINIO EXTENSIBLE HOJA DE 40mm Y 45mm ANODIZADO PLATA MATE
40-45mm DOOR THICK NATURAL ANODIZED EXTENDABLE ALUMINIUM FRAME

MEDIDA MÁXIMA DE HOJA MAXIMUM WIDTH DOOR	S TABIQUE / PARTITION 70-100mm	M TABIQUE / PARTITION 100-130mm	L TABIQUE / PARTITION 130-160mm	XL TABIQUE / PARTITION 160-190mm
SIMPLE / SINGLE 92,5 x 2,11	ME.S.S921.APM	ME.M.S921.APM	ME.L.S921.APM	ME.X.S921.APM
SIMPLE / SINGLE 1,20 x 2,11	ME.S.S121.APM	ME.M.S121.APM	ME.L.S121.APM	ME.X.S121.APM
SIMPLE / SINGLE 92,5 x 2,40	ME.S.S924.APM	ME.M.S924.APM	ME.L.S924.APM	ME.X.S924.APM
SIMPLE / SINGLE 1,20 x 2,40	ME.S.S124.APM	ME.M.S124.APM	ME.L.S124.APM	ME.X.S124.APM
DOBLE / DOUBLE 1,80 x 2,11	ME.S.D121.APM	ME.M.D121.APM	ME.L.D121.APM	ME.X.D121.APM
DOBLE / DOUBLE 2,40 x 2,11	ME.S.D221.APM	ME.M.D221.APM	ME.L.D221.APM	ME.X.D221.APM
DOBLE / DOUBLE 1,80 x 2,40	ME.S.D124.APM	ME.M.D124.APM	ME.L.D124.APM	ME.X.D124.APM
DOBLE / DOUBLE 2,40 x 2,40	ME.S.D224.APM	ME.M.D224.APM	ME.L.D224.APM	ME.X.D224.APM

MARCO DE ALUMINIO EXTENSIBLE HOJA DE 40mm Y 45mm LACADO SEGÚN CARTA RAL
40-45mm DOOR THICK RAL COD. POWDER COATED EXTENDABLE ALUMINIUM FRAME

MEDIDA MÁXIMA DE HOJA MAXIMUM WIDTH DOOR	S TABIQUE / PARTITION 70-100mm	M TABIQUE / PARTITION 100-130mm	L TABIQUE / PARTITION 130-160mm	XL TABIQUE / PARTITION 160-190mm
SIMPLE / SINGLE 92,5 x 2,11	ME.S.S921.L	ME.M.S921.L	ME.L.S921.L	ME.X.S921.L
SIMPLE / SINGLE 1,20 x 2,11	ME.S.S121.L	ME.M.S121.L	ME.L.S121.L	ME.X.S121.L
SIMPLE / SINGLE 92,5 x 2,40	ME.S.S924.L	ME.M.S924.L	ME.L.S924.L	ME.X.S924.L
SIMPLE / SINGLE 1,20 x 2,40	ME.S.S124.L	ME.M.S124.L	ME.L.S124.L	ME.X.S124.L
DOBLE / DOUBLE 1,80 x 2,11	ME.S.D121.L	ME.M.D121.L	ME.L.D121.L	ME.X.D121.L
DOBLE / DOUBLE 2,40 x 2,11	ME.S.D221.L	ME.M.D221.L	ME.L.D221.L	ME.X.D221.L
DOBLE / DOUBLE 1,80 x 2,40	ME.S.D124.L	ME.M.D124.L	ME.L.D124.L	ME.X.D124.L
DOBLE / DOUBLE 2,40 x 2,40	ME.S.D224.L	ME.M.D224.L	ME.L.D224.L	ME.X.D224.L

MARCO DE ALUMINIO EXTENSIBLE HOJA DE 40mm Y 45mm RECHAPADO HPL
40-45mm DOOR THICK HPL COVERED EXTENDABLE ALUMINIUM FRAME

MEDIDA MÁXIMA DE HOJA MAXIMUM WIDTH DOOR	S TABIQUE / PARTITION 70-100mm	M TABIQUE / PARTITION 100-130mm	L TABIQUE / PARTITION 130-160mm	XL TABIQUE / PARTITION 160-190mm
SIMPLE / SINGLE 92,5 x 2,11	ME.S.S921.HPL	ME.M.S921.HPL	ME.L.S921.HPL	ME.X.S921.HPL
SIMPLE / SINGLE 1,20 x 2,11	ME.S.S121.HPL	ME.M.S121.HPL	ME.L.S121.HPL	ME.X.S121.HPL
SIMPLE / SINGLE 92,5 x 2,40	ME.S.S924.HPL	ME.M.S924.HPL	ME.L.S924.HPL	ME.X.S924.HPL
SIMPLE / SINGLE 1,20 x 2,40	ME.S.S124.HPL	ME.M.S124.HPL	ME.L.S124.HPL	ME.X.S124.HPL
DOBLE / DOUBLE 1,80 x 2,11	ME.S.D121.HPL	ME.M.D121.HPL	ME.L.D121.HPL	ME.X.D121.HPL
DOBLE / DOUBLE 2,40 x 2,11	ME.S.D221.HPL	ME.M.D221.HPL	ME.L.D221.HPL	ME.X.D221.HPL
DOBLE / DOUBLE 1,80 x 2,40	ME.S.D124.HPL	ME.M.D124.HPL	ME.L.D124.HPL	ME.X.D124.HPL
DOBLE / DOUBLE 2,40 x 2,40	ME.S.D224.HPL	ME.M.D224.HPL	ME.L.D224.HPL	ME.X.D224.HPL

MARCO DE ALUMINIO EXTENSIBLE HOJA DE 40mm Y 45mm RECHAPADO PVC EXTERIOR
40-45mm DOOR THICK PVC COVERED EXTENDABLE ALUMINIUM FRAME

MEDIDA MÁXIMA DE HOJA MAXIMUM WIDTH DOOR	S TABIQUE / PARTITION 70-100mm	M TABIQUE / PARTITION 100-130mm	L TABIQUE / PARTITION 130-160mm	XL TABIQUE / PARTITION 160-190mm
SIMPLE / SINGLE 92,5 x 2,11	ME.S.S921.PVC	ME.M.S921.PVC	ME.L.S921.PVC	ME.X.S921.PVC
SIMPLE / SINGLE 1,20 x 2,11	ME.S.S121.PVC	ME.M.S121.PVC	ME.L.S121.PVC	ME.X.S121.PVC
SIMPLE / SINGLE 92,5 x 2,40	ME.S.S924.PVC	ME.M.S924.PVC	ME.L.S924.PVC	ME.X.S924.PVC
SIMPLE / SINGLE 1,20 x 2,40	ME.S.S124.PVC	ME.M.S124.PVC	ME.L.S124.PVC	ME.X.S124.PVC
DOBLE / DOUBLE 1,80 x 2,11	ME.S.D121.PVC	ME.M.D121.PVC	ME.L.D121.PVC	ME.X.D121.PVC
DOBLE / DOUBLE 2,40 x 2,11	ME.S.D221.PVC	ME.M.D221.PVC	ME.L.D221.PVC	ME.X.D221.PVC
DOBLE / DOUBLE 1,80 x 2,40	ME.S.D124.PVC	ME.M.D124.PVC	ME.L.D124.PVC	ME.X.D124.PVC
DOBLE / DOUBLE 2,40 x 2,40	ME.S.D224.PVC	ME.M.D224.HPL	ME.L.D224.PVC	ME.X.D224.PVC

KIT MARCOS

FRAME SETS

ADINOR

LOS CERCOS SE SIRVEN DESMONTADOS, CORTADOS, MECANIZADOS Y EMPAQUETADOS EN CAJA

INFORMACIÓN SUMINISTRO KIT MARCOS:

LOS CERCOS PARA HOJA SIMPLE DE ALTURA 2,11m INCLUYEN 3 PERNIOS EN INOX + LAS ESCUADRAS, GOMAS Y NIVELADORES DE MARCO NECESARIOS PARA SU COLOCACIÓN.

LOS CERCOS PARA HOJA SIMPLE DE ALTURA 2,40m INCLUYEN 4 PERNIOS EN INOX + LAS ESCUADRAS, GOMAS Y NIVELADORES DE MARCO NECESARIOS PARA SU COLOCACIÓN.

LOS CERCOS PARA HOJA DOBLES DE ALTURA 2,11m INCLUYEN 6 PERNIOS EN INOX + LAS ESCUADRAS, GOMAS Y NIVELADORES DE MARCO NECESARIOS PARA SU COLOCACIÓN

LOS CERCOS PARA HOJA DOBLE DE ALTURA 2,40m INCLUYEN 8 PERNIOS EN INOX + LAS ESCUADRAS, GOMAS Y NIVELADORES DE MARCO NECESARIOS PARA SU COLOCACIÓN.

THE FRAMES ARE SERVED DISASSEMBLED, CUT, MACHINED AND PACKAGED IN A BOX

INFORMATION SUPPLY SET FRAMES:

THE FRAME FOR SINGLE DOOR OF 2.11m HEIGHT INCLUDES 3 STAINLESS HINGES + THE ALIGNMENT BRACKETS, GASKETS AND FRAME LEVELERS REQUIRED FOR THE INSTALATION

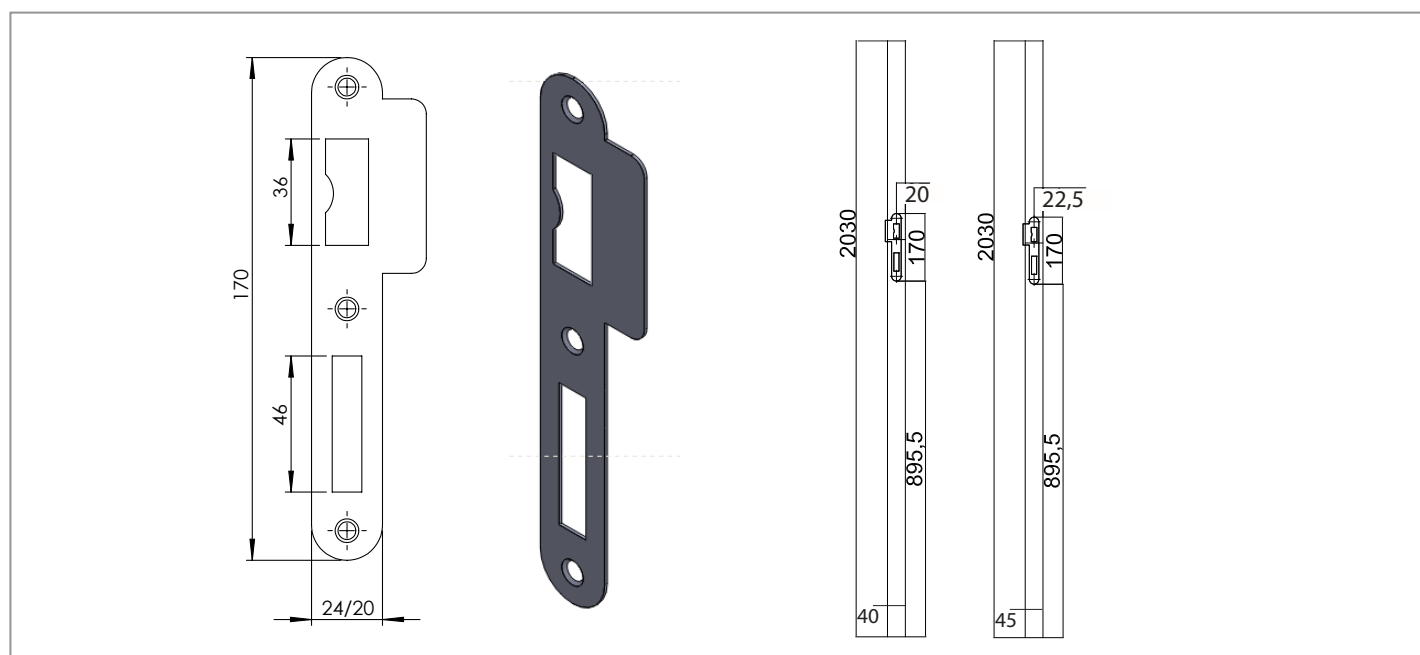
THE FRAME FOR DOUBLE DOOR OF 2.11m HEIGHT INCLUDES 6 STAINLESS STEEL HINGES + THE ALIGNMENT BRACKETS, GASKETS AND FRAME LEVELERS REQUIRED FOR THE INSTALATION

THE FRAMES ARE SERVED DISASSEMBLED, CUT, MACHINED AND PACKAGED IN A BOX MECANIZACIÓN CERRADERO STRIKE PLATE MACHINING

THE FRAME FOR SINGLE DOOR OF 2.40m HEIGHT INCLUDES 4 STAINLESS HINGES + THE ALIGNMENT BRACKETS, GASKETS AND FRAME LEVELERS REQUIRED FOR THE INSTALATION

THE FRAME FOR DOUBLE DOOR OF 2.40m HEIGHT INCLUDES 8 STAINLESS STEEL HINGES + THE ALIGNMENT BRACKETS, GASKETS AND FRAME LEVELERS REQUIRED FOR THE INSTALATION

MECANIZACIÓN CERRADERO STRIKE PLATE MACHINING



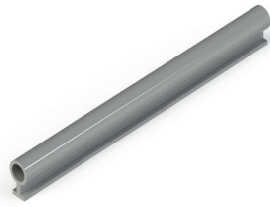
MARCOS
ALUMINIO

COMPLEMENTOS

COMPLEMENTS

GOMA PVC MARCO ALUMINIO

PVC FRAME GASKET



REF.
ME.120

GOMA PVC ANTIRUIDO PUERTA

PVC ANTI-SHOCK GASKET



REF.
ME.110

ESCUADRA DE FIJACIÓN 40x40

40x40 INNER CONNECTION



REF.
ME.130

ESCUADRA UNION MONTAJE A INGLETE

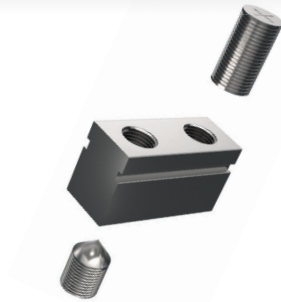
ALIGNMENT FRAME BRACKET



REF.
ME700

NIVELADOR DE DISTANCIA

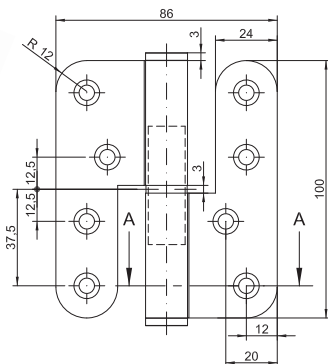
FRAME LEVELER



REF.
ME.150

BISAGRA INOX 100x86mm

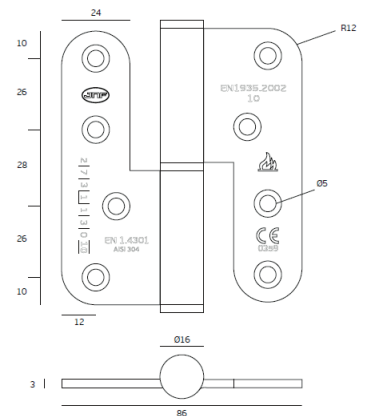
100x86 SS HINGE



REF.
ME.BI.100X86

BISAGRA INOX 100x86mm

100x86 SS HINGE



REF.
ME.BJ.100X86

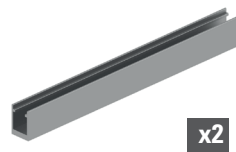
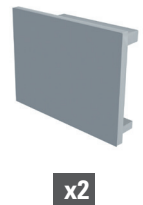
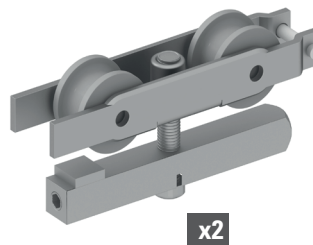
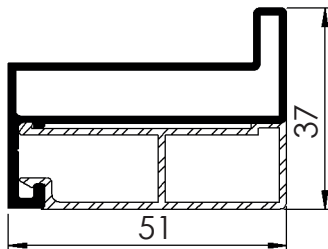
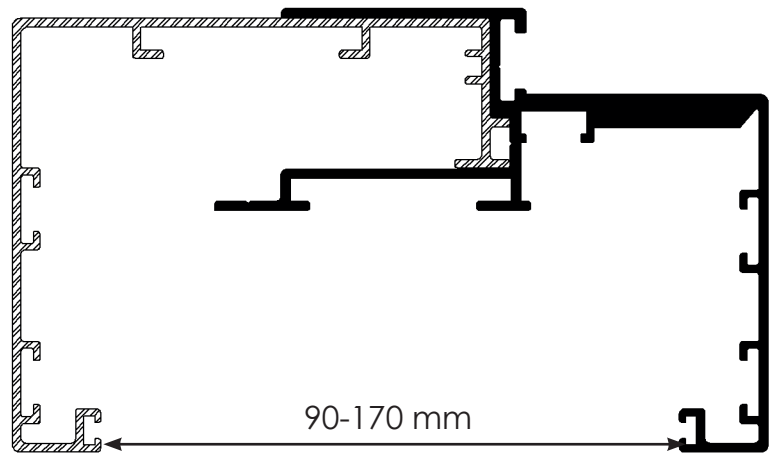
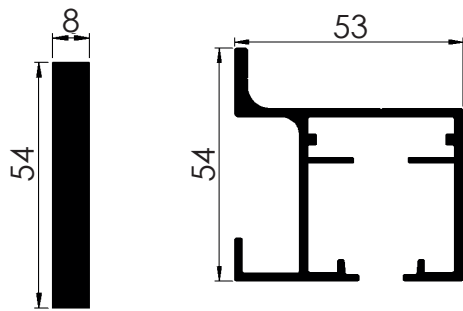
SISTEMA CORREDERO

SLIDING SYSTEM

ADINOR

MARCO EXTENSIBLE ALUMINIO PARA CORREDERA SOBRE PARED

EXTENSIBLE ALUMINIUM FRAME FOR SLIDING DOOR SYSTEM



AMORTIGUADOR BIDIRECCIONAL

BIDIRECTIONAL SOFT-CLOSING SYSTEM



OPCIONAL / OPTIONAL

KG	REF.
60	SK.AMBID.60
80	SK.AMBID.80
100	SK.AMBID.100
120	SK.AMBID.120





PLATA MATE / NATURAL ANODICED

MEDIDA MÁXIMA DE HOJA MAXIMUM WIDTH DOOR	S TABIQUE / PARTITION 70-100mm	M TABIQUE / PARTITION 100-130mm	L TABIQUE / PARTITION 130-160mm	XL TABIQUE / PARTITION 160-190mm
SIMPLE / SINGLE 92,5 x 2,11	MEPCE.S921.PM	MEPCE.M921.PM	MEPCE.L921.PM	MEPCE.X921.PM
SIMPLE / SINGLE 1,20 x 2,11	MEPCE.S121.PM	MEPCE.M121.PM	MEPCE.L121.PM	MEPCE.X121.PM
SIMPLE / SINGLE 92,5 x 2,40	MEPCE.S924.PM	MEPCE.M924.PM	MEPCE.L924.PM	MEPCE.X924.PM
SIMPLE / SINGLE 1,20 x 2,40	MEPCE.S124.PM	MEPCE.M124.PM	MEPCE.L124.PM	MEPCE.X124.PM

LACADO RAL / RAL COATED

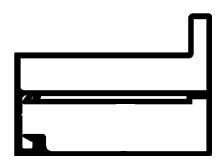
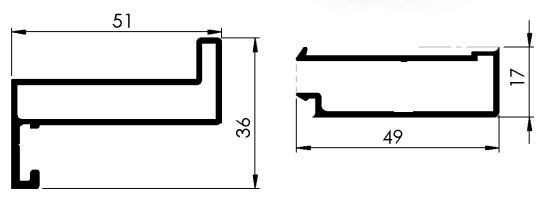
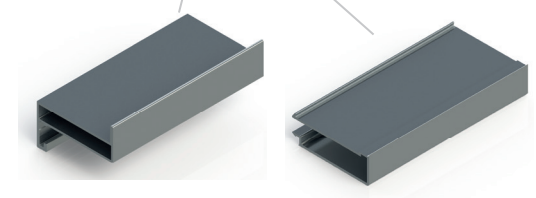
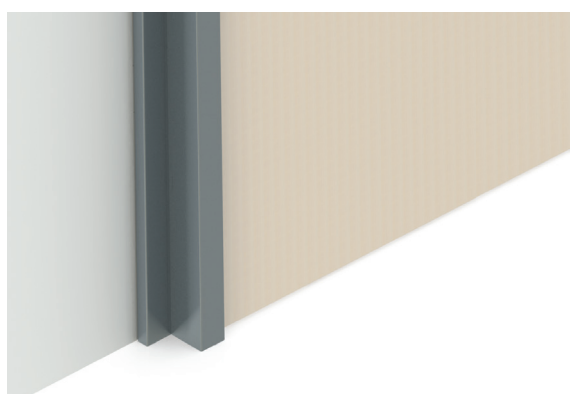
MEDIDA MÁXIMA DE HOJA MAXIMUM WIDTH DOOR	S TABIQUE / PARTITION 70-100mm	M TABIQUE / PARTITION 100-130mm	L TABIQUE / PARTITION 130-160mm	XL TABIQUE / PARTITION 160-190mm
SIMPLE / SINGLE 92,5 x 2,11	MEPCE.S921.L	MEPCE.M921.L	MEPCE.L921.L	MEPCE.X921.L
SIMPLE / SINGLE 1,20 x 2,11	MEPCE.S121.L	MEPCE.M121.L	MEPCE.L121.L	MEPCE.X121.L
SIMPLE / SINGLE 92,5 x 2,40	MEPCE.S924.L	MEPCE.M924.L	MEPCE.L924.L	MEPCE.X924.L
SIMPLE / SINGLE 1,20 x 2,40	MEPCE.S124.L	MEPCE.M124.L	MEPCE.L124.L	MEPCE.X124.L

TODOS LOS KITS DE MARCOS DE ALUMINIO PARA PUERTA CORREDERA SOBRE PARED SE SUMINISTRAN CON LOS MARCOS PARA FORRAR LOS TABIQUES, GUÍA, CARROS Y MARCO DE CIERRE.

OPCIONALMENTE SE PODRÁ PONER AMORTIGUADOR DE CIERRE BIDIRECCIONAL. (amortiguación tanto en la apertura como en el cierre)

ALL THE ALUMINIUM FRAME SETS FOR SLIDING DOOR ARE SUPPLIED WITH ALL THE NECESSARY ELEMENTS SUCH US: TRACK, ROLLERS, ALUMINIUM FRAMES, DOOR STOPPER FRAME...

BIDIRECCIONAL SOFT CLOSING SYSTEM COULD BE SUPPLIED. (opening soft and close soft).



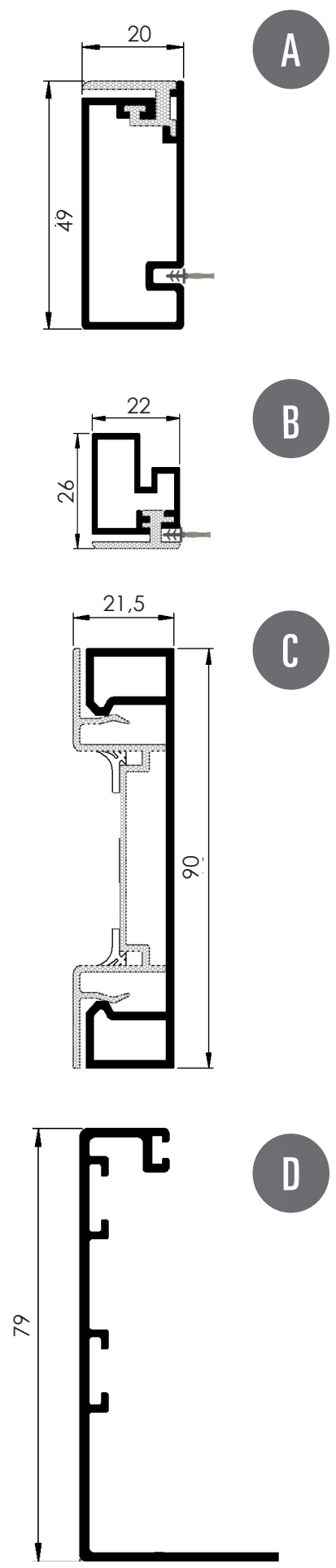
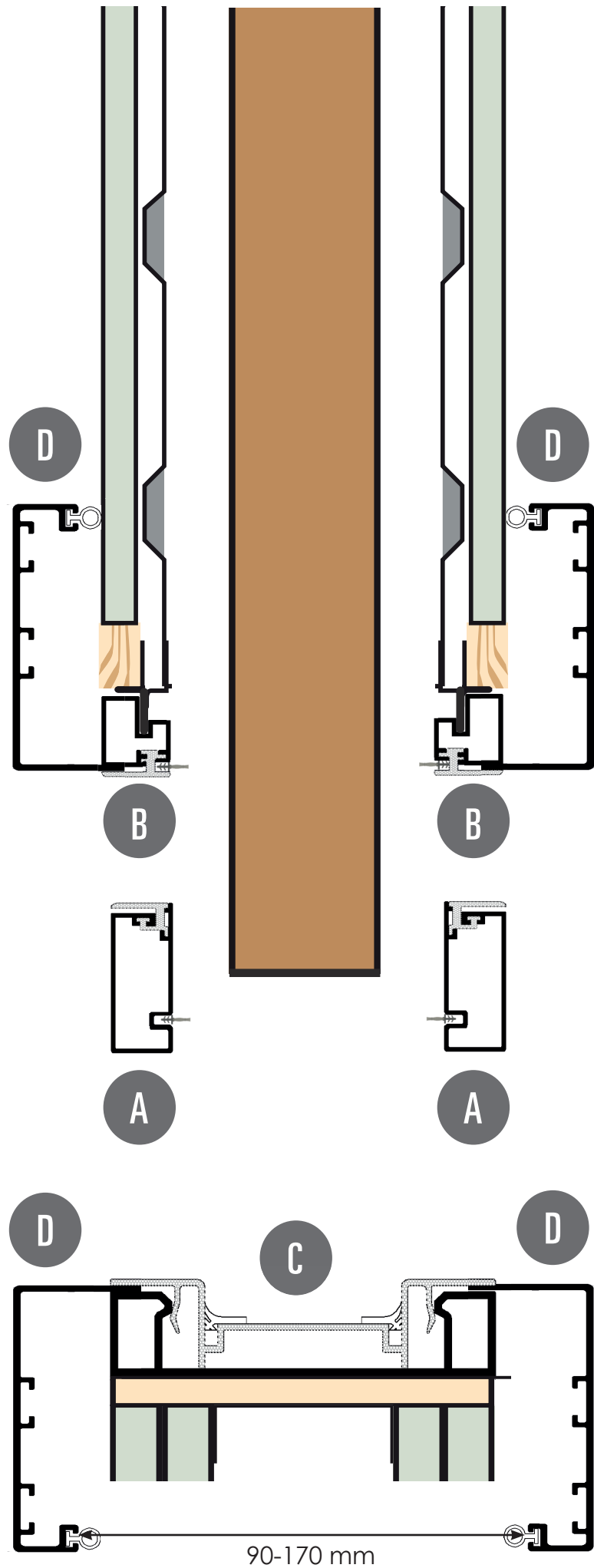
MARCOS
ALUMINIO

MARCO EXTENSIBLE ALUMINIO PARA ARMAZÓN

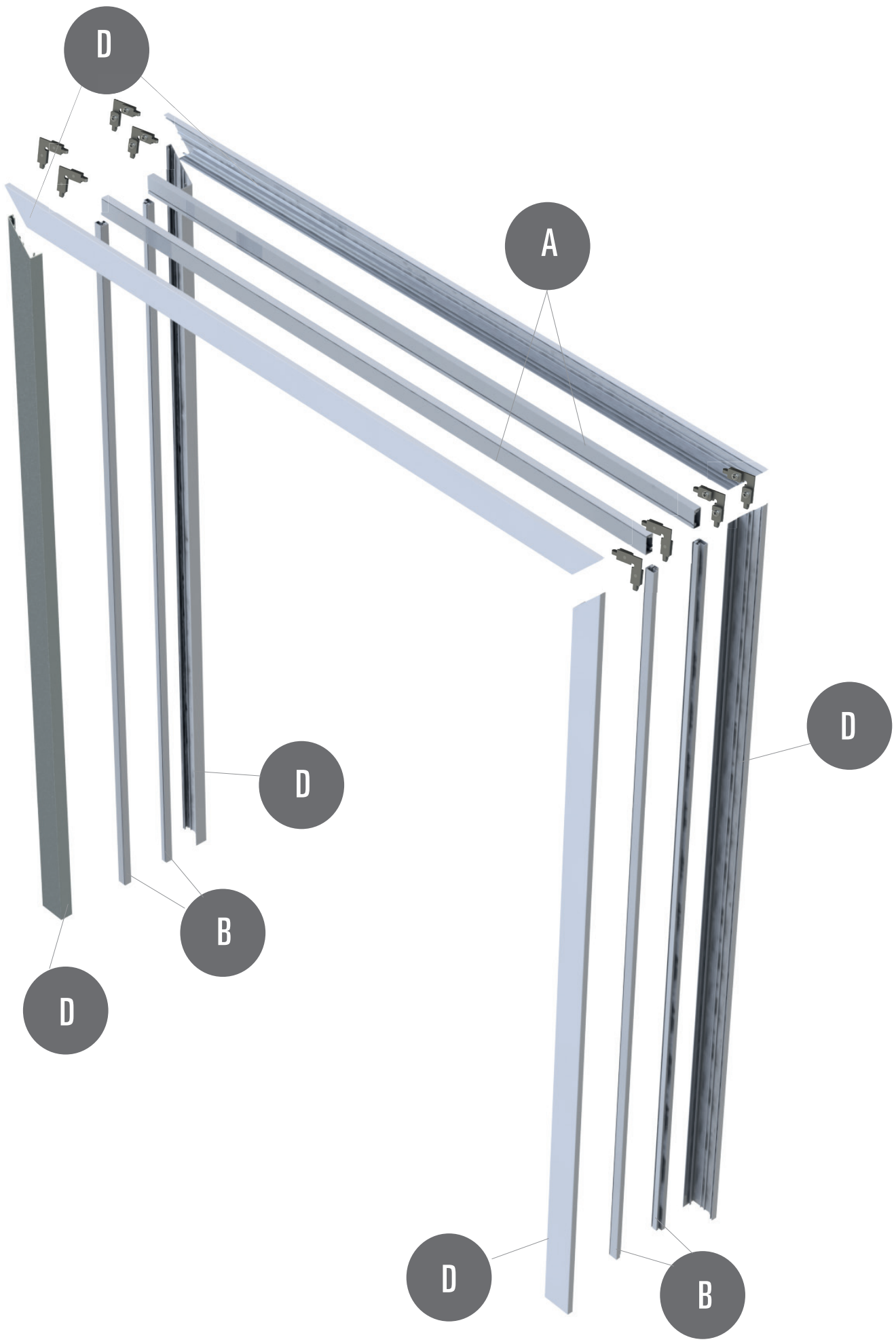
EXTENSIBLE ALUMINIUM FRAME FOR SLIDING STRUCTURE FRAME

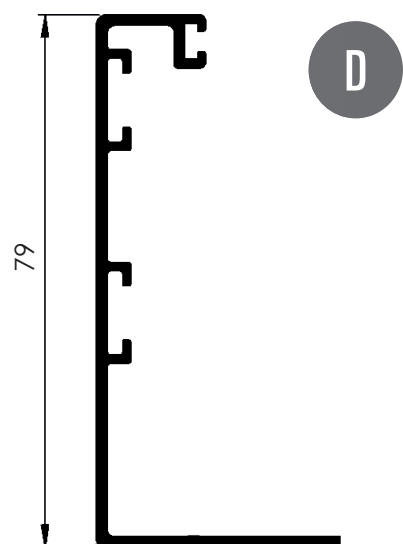
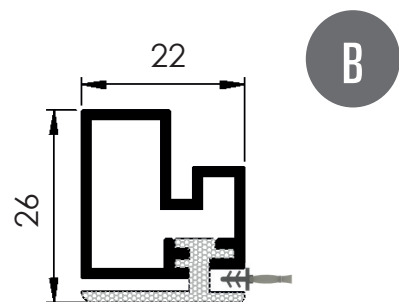
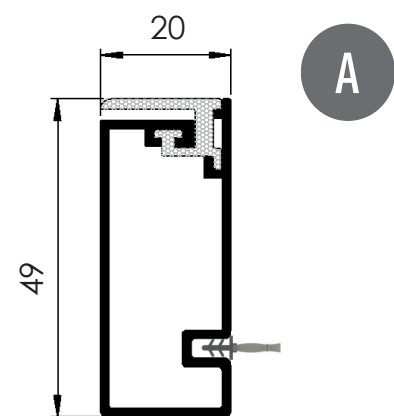
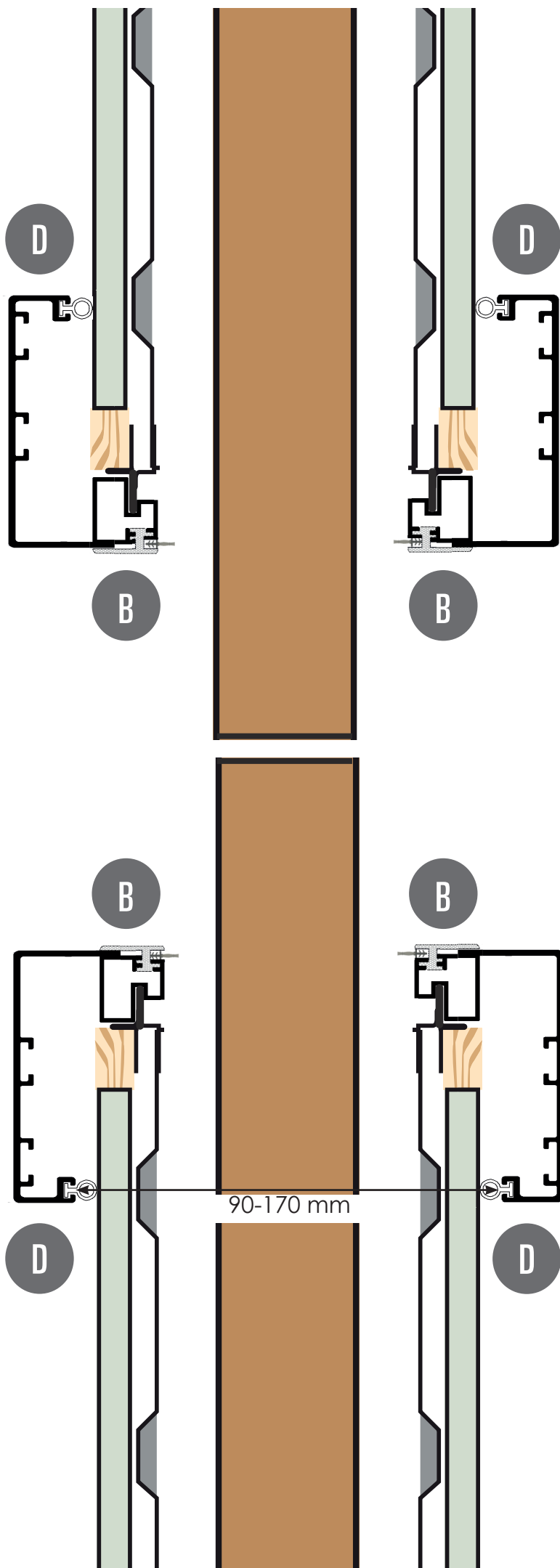
HOJA SIMPLE
SINGLE DOOR FRAME





HOJA DOBLE
DOUBLE DOOR FRAME





ALTURA DE HOJA 203cm / 203 cm DOOR HEIGHT				
ANODIZADO P.MATE NATURAL ANODIZED	LACADO RAL RAL COATED	PUERTA DOOR	LUZ DE PASO CLEARANCE WIDTH	ANCHURA TABIQUE PARTITION WIDTH
MC.20PS.9.13	MC.20LS.9.13	SIMPLE / SINGLE	60 - 90 cm	90 - 130 cm
MC.20PS.9.17	MC.20LS.9.17	SIMPLE / SINGLE	60 - 90 cm	130 - 170 cm
MC.20PS.12.13	MC.20LS.12.13	SIMPLE / SINGLE	90 - 120 cm	90 - 130 cm
MC.20PS.12.17	MC.20LS.12.17	SIMPLE / SINGLE	90 - 120 cm	130 - 170 cm
MC.20PD.16.13	MC.20LD.16.13	DOBLE /DOUBLE	120 - 160 cm	90 - 130 cm
MC.20PD.16.17	MC.20LD.16.17	DOBLE /DOUBLE	120 - 160 cm	130 - 170 cm
MC.20PD.20.13	MC.20LD.20.13	DOBLE /DOUBLE	160 - 200 cm	90 - 130 cm
MC.20PD.20.17	MC.20LD.20.17	DOBLE /DOUBLE	160 - 200 cm	130 - 170 cm

ALTURA DE HOJA 211cm / 211 cm DOOR HEIGHT				
ANODIZADO P.MATE NATURAL ANODIZED	LACADO RAL RAL COATED	PUERTA DOOR	LUZ DE PASO CLEARANCE WIDTH	ANCHURA TABIQUE PARTITION WIDTH
MC.21PS.9.13	MC.21LS.9.13	SIMPLE / SINGLE	60 - 90 cm	90 - 130 cm
MC.21PS.9.17	MC.21LS.9.17	SIMPLE / SINGLE	60 - 90 cm	130 - 170 cm
MC.21PS.12.13	MC.21LS.12.13	SIMPLE / SINGLE	90 - 120 cm	90 - 130 cm
MC.21PS.12.17	MC.21LS.12.17	SIMPLE / SINGLE	90 - 120 cm	130 - 170 cm
MC.21PD.16.13	MC.21LD.16.13	DOBLE /DOUBLE	120 - 160 cm	90 - 130 cm
MC.21PD.16.17	MC.21LD.16.17	DOBLE /DOUBLE	120 - 160 cm	130 - 170 cm
MC.21PD.20.13	MC.21LD.20.13	DOBLE /DOUBLE	160 - 200 cm	90 - 130 cm
MC.21PD.20.17	MC.21LD.20.17	DOBLE /DOUBLE	160 - 200 cm	130 - 170 cm

MEDIDAS ESPECIALES CONSULTAR
SPECIAL MEASURES UNDER REQUEST (MCE)

INFORMACIÓN SUMINISTRO KIT MARCOS:

TODOS LOS KITS PARA ARMAZON SE SUMINISTRAN CON LOS PERFILES VERTICALES MÁS LARGOS PARA PODER AJUSTAR EN OBRA.

LA MEDIDA ACE ES LA QUE NOS DETERMINARÁ LA LONGITUD DEL CABECERO

AEC = ANCHURA HUECO LIBRE SIN MOLDURAS DE ALUMINIO

EL MARCO DE ALUMINIO PUEDE UTILIZARSE INDISTINTAMENTE PARA PAREDES DE REVOCO Y CARTON YESO.

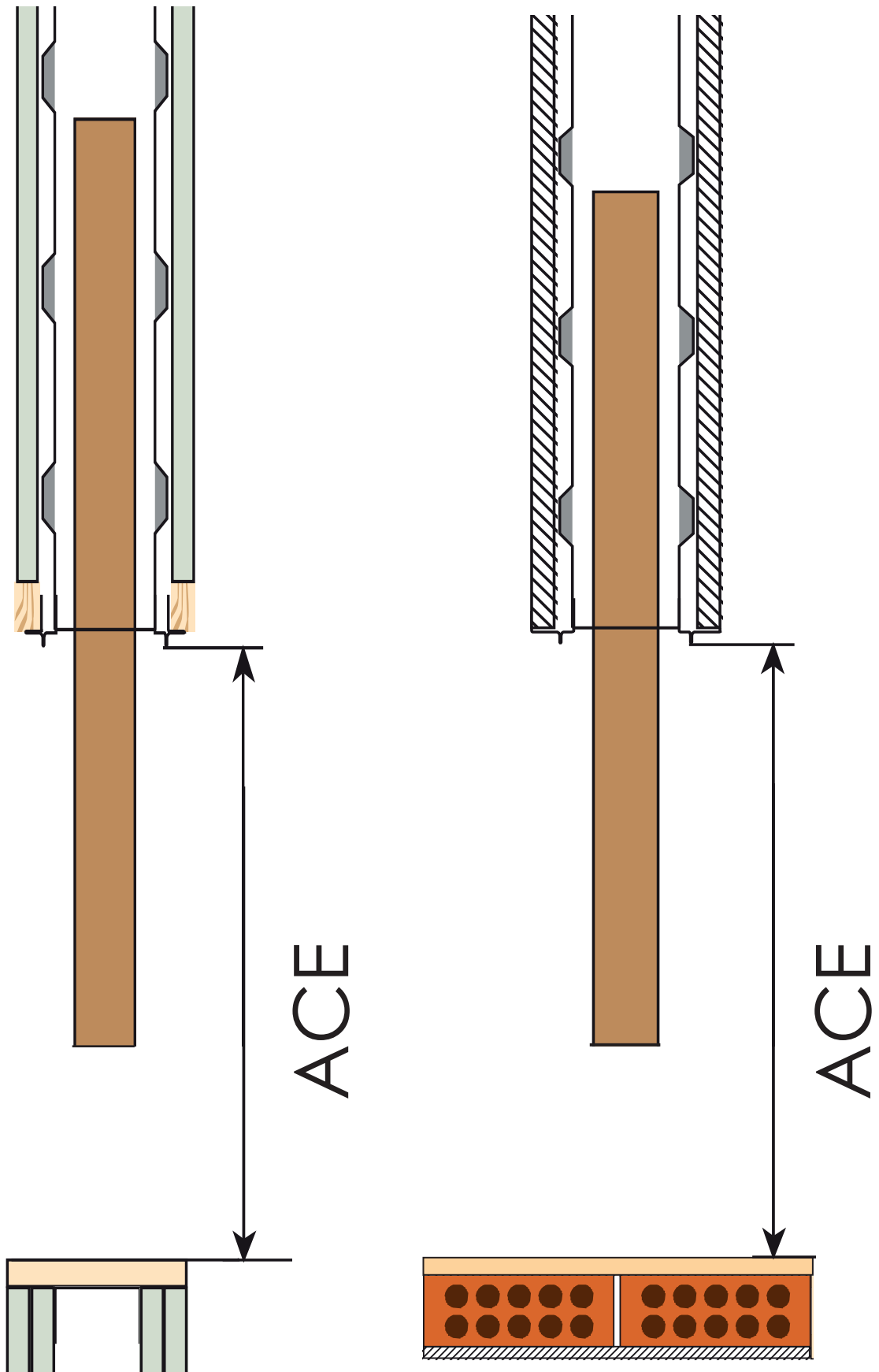
INFORMATION SUPPLY SET FRAMES:

ALL SETS OF ALUMINION FRAME ARE SUPPLIED WITH LONGER VERTICAL PROFILES SO IT CAN BE ADJUSTED ON SITE.

THE ACE MEASURE IS THE ONE THAT WILL DETERMINE US THE INNER WIDTH OF THE ALUMINIUM FRAME

AEC = OPEN WIDTH WITHOUT ALUMINIUM FRAME.

THE ALUMINIUM FRAME IT CAN BE USE FOR PLASTERBOARD WALLS AND MASONRY .



ACE = ANCHURA HUECO LIBRE SIN MOLDURAS DE ALUMINIO
 AEC = OPEN WIDTH WITHOUT ALUMINUM FRAME.

SISTEMA ANTIPILLADEDOS SAFETY GASKET

ADINOR

SISTEMA ANTIPILLADEDOS

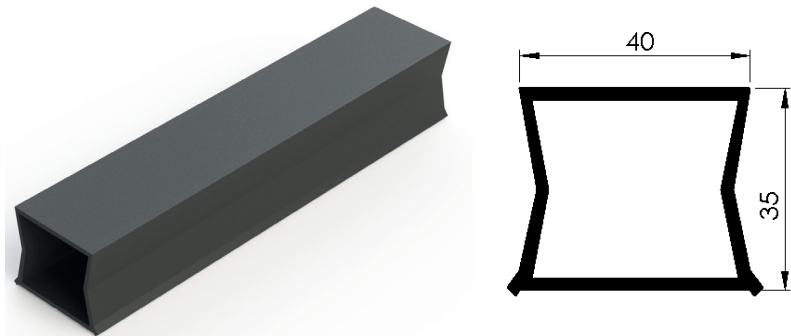
SAFETY GASKET

Sistema de seguridad infantil que evita que los niños puedan introducir los dedos entre la hoja de la puerta y el galce. Muy recomendable para colegios y guarderías.

Child safety system that prevents children from inserting their fingers between the door leaf and the door. Highly recommended for schools and nurseries.

GOMA ANTIPILLADEDOS

SAFETY GASKET

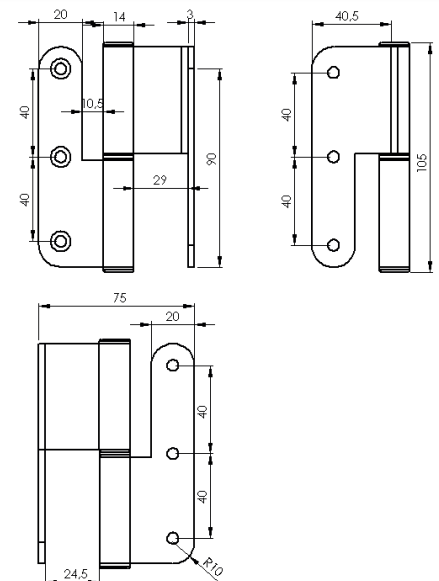
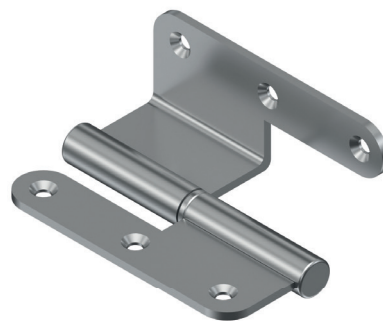


REF.

ME.180

BISAGRA SISTEMA ANTIPILLADEDOS

SAFETY HINGE



REF.

ME.310



MARCOS
ALUMINIO

PUERTA VAIVÉN REVOLVING DOOR

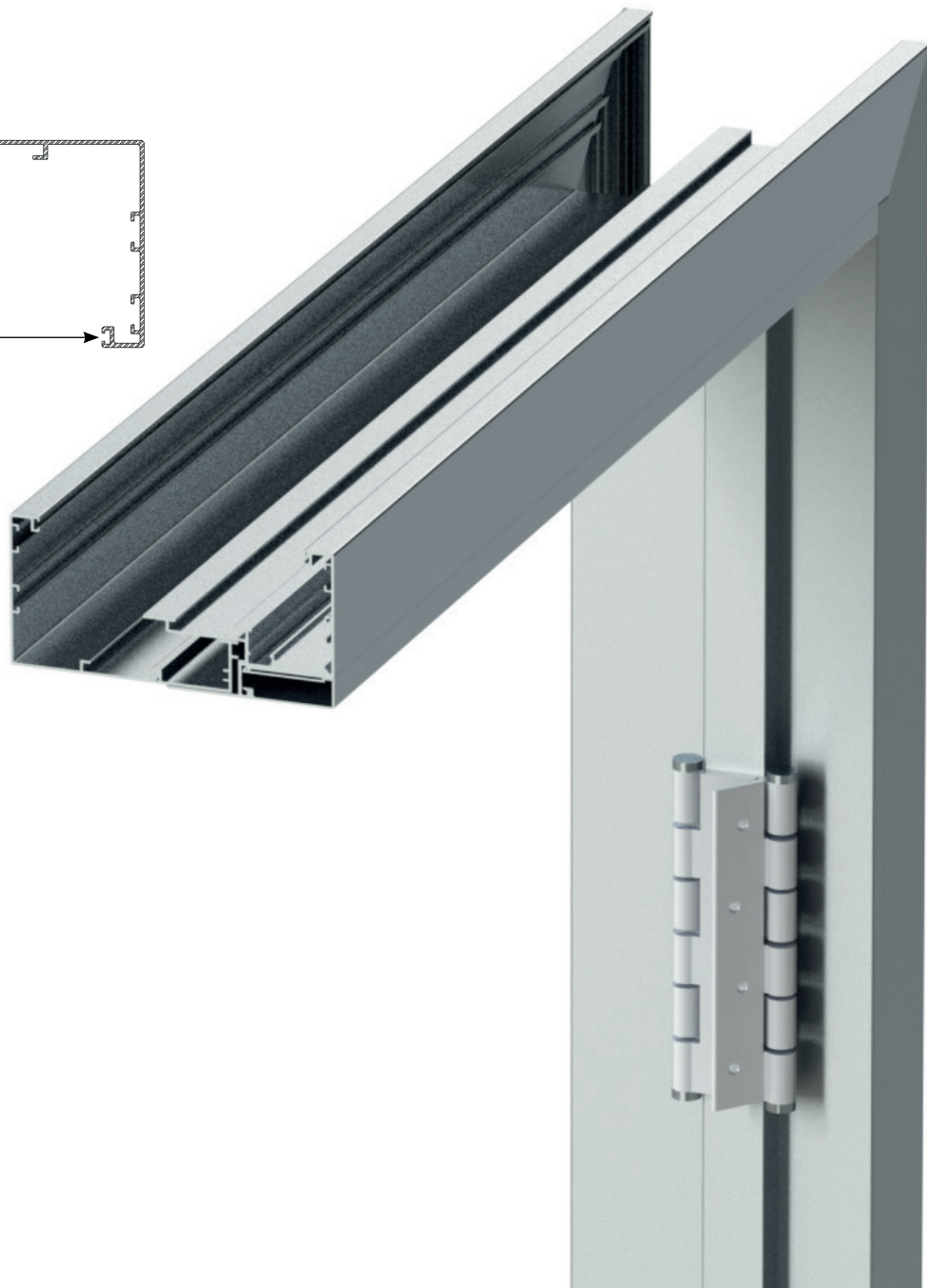
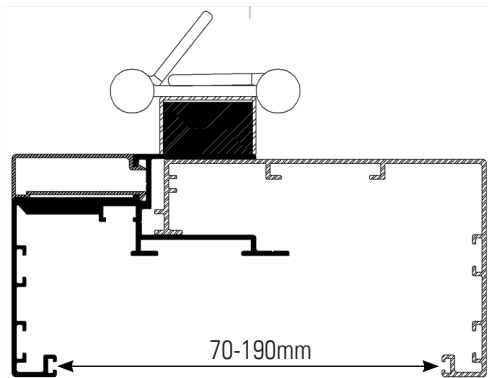
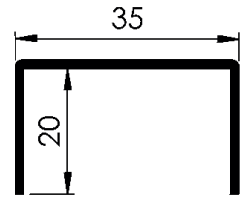
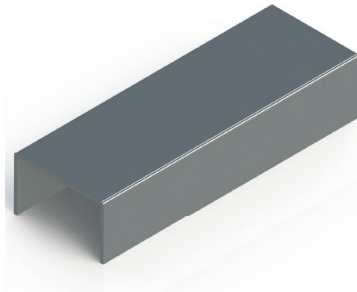
ADINOR

PUERTA VAIVEN

REVOLVING DOOR

PERFIL U PARA BISAGRA VAIVÉN

U ALUMINIUM PROFILE FOR REVOLVING DOOR

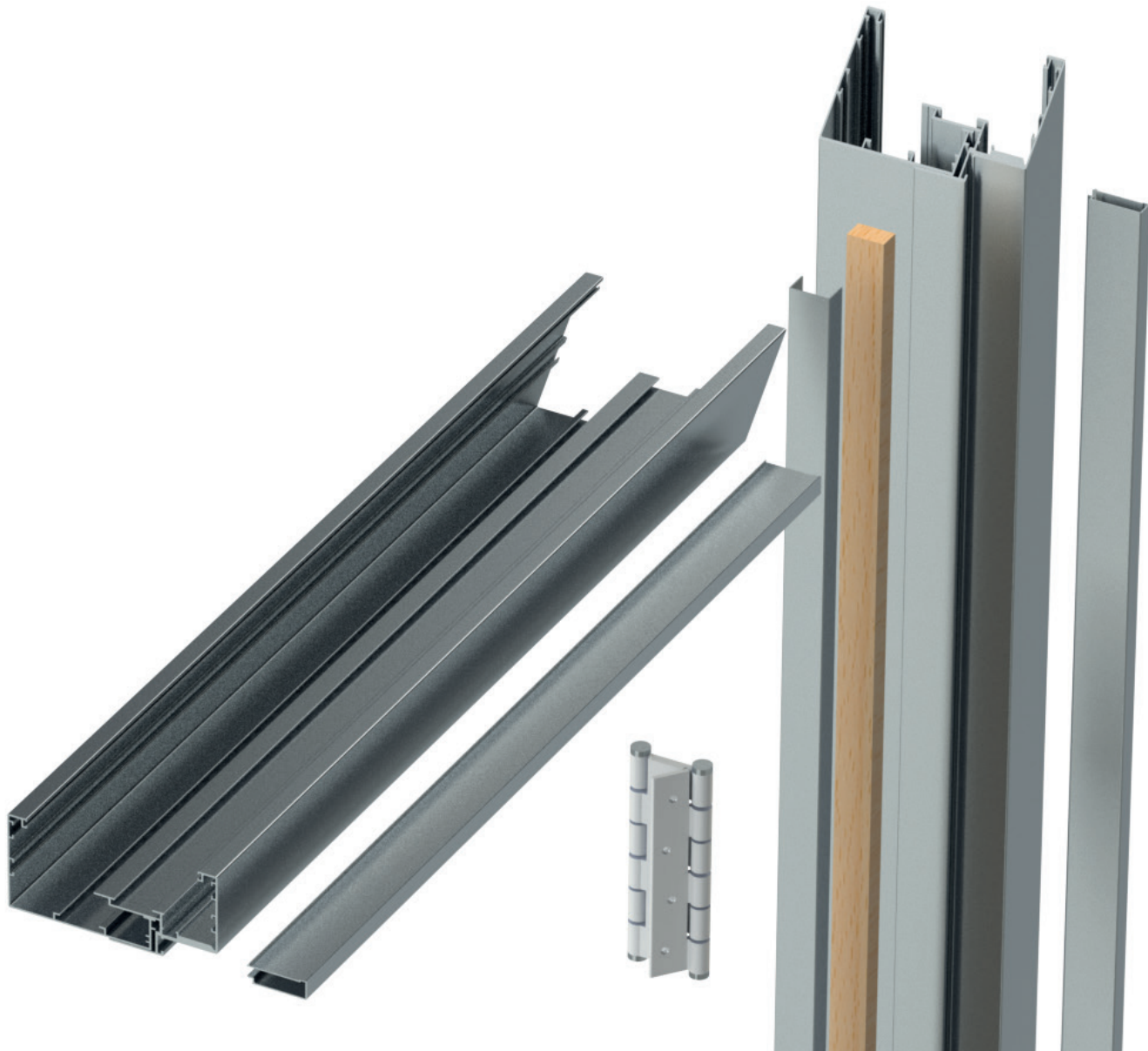


PLATA MATE / NATURAL ANODICED

MEDIDA MÁXIMA DE HOJA MAXIMUM WIDTH DOOR	S TABIQUE / PARTITION 70-100mm	M TABIQUE / PARTITION 100-130mm	L TABIQUE / PARTITION 130-160mm	XL TABIQUE / PARTITION 160-190mm
SIMPLE / SINGLE 92,5 x 2,11	ME.PV.S921.PM	ME.PV.M921.PM	ME.PV.L921.PM	ME.PV.X921.PM
SIMPLE / SINGLE 1,20 x 2,11	ME.PV.S121.PM	ME.PV.M121.PM	ME.PV.L121.PM	ME.PV.X121.PM
SIMPLE / SINGLE 92,5 x 2,40	ME.PV.S924.PM	ME.PV.M924.PM	ME.PV.L924.PM	ME.PV.X924.PM
SIMPLE / SINGLE 1,20 x 2,40	ME.PV.S124.PM	ME.PV.M124.PM	ME.PV.L124.PM	ME.PV.X124.PM

LACADO RAL / RAL COATED

MEDIDA MÁXIMA DE HOJA MAXIMUM WIDTH DOOR	S TABIQUE / PARTITION 70-100mm	M TABIQUE / PARTITION 100-130mm	L TABIQUE / PARTITION 130-160mm	XL TABIQUE / PARTITION 160-190mm
SIMPLE / SINGLE 92,5 x 2,11	ME.PV.S921.L	ME.PV.M921.L	ME.PV.L921.L	ME.PV.X921.L
SIMPLE / SINGLE 1,20 x 2,11	ME.PV.S121.L	ME.PV.M121.L	ME.PV.L121.L	ME.PV.X121.L
SIMPLE / SINGLE 92,5 x 2,40	ME.PV.S924.L	ME.PV.M924.L	ME.PV.L924.L	ME.PV.X924.L
SIMPLE / SINGLE 1,20 x 2,40	ME.PV.S124.L	ME.PV.M124.L	ME.PV.L124.L	ME.PV.X124.L

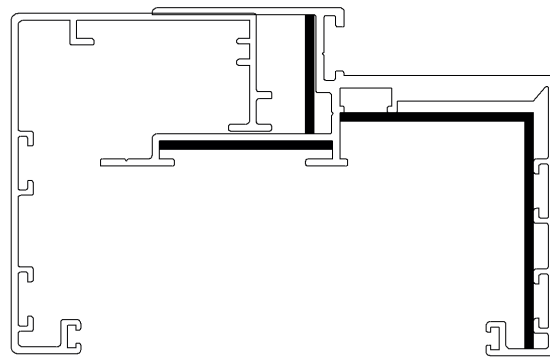


MARCOS
ALUMINIO

**MARCO
EMPLOMADO
LEAD REINFORCED
ALUMINIUM FRAME
ADINOR**

MARCO DE ALUMINIO REFORZADO CON PLOMO ESPECIAL PARA RADIOLOGÍA

LEAD REINFORCED ALUMINIUM FRAME FOR RADIOLOGY ROOMS



CARACTERÍSTICAS CHARACTERISTICS

Perfil de aluminio reforzado con placas de plomo estandar de 2mm de grosor.

Diseñado especialmente para zonas de radiología (rayos X).

El marco se puede adaptar a distintos anchos de tabique desde 70 hasta 190mm.

El marco de aluminio puede tener acabado anodizado plata mate o lacado RAL.

Calculo medida Puerta:

Anchura Puerta = Anchura hueco luz obra - 60mm

Altura Puerta = Altura hueco luz obra - 40mm

Aluminium frame reinforced with a 2 mm lead.

Specially designed for radiology areas (X-Ray rooms)

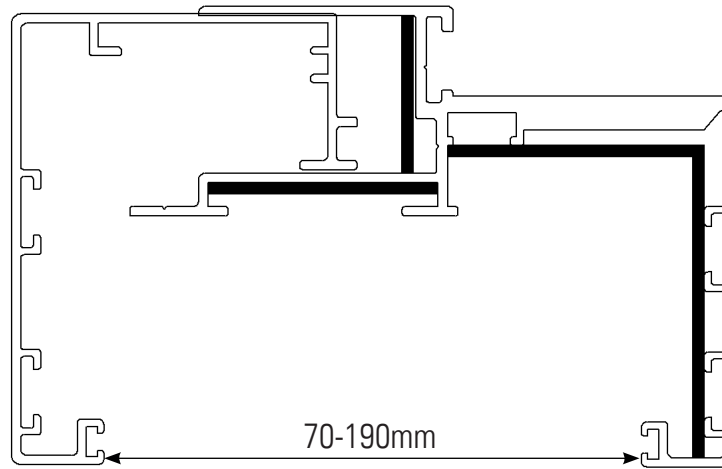
The extensible aluminium frame can be adapted to from 70 to 190mm.

The frames finishings could be natural anodized or Ral powder coated.

Door measurement calculation:

Door width = Opening width - 60mm

Door height = Opening height - 40mm



MARCO DE ALUMINIO EXTENSIBLE HOJA DE 40mm Y 45mm REFORZADO CON PLOMO ANODIZADO PLATA MATE
40-45mm DOOR THICK NATURAL ANODIZED EXTENDABLE ALUMINIUM FRAME LEAD REINFORCED

MEDIDA MÁXIMA DE HOJA MAXIMUM WIDTH DOOR	S TABIQUE / PARTITION 70-100mm	M TABIQUE / PARTITION 100-130mm	L TABIQUE / PARTITION 130-160mm	XL TABIQUE / PARTITION 160-190mm
SIMPLE / SINGLE 92,5 x 2,11	MEP.S.921.APM	MEP.M.921.APM	MEP.L.921.APM	MEP.X.921.APM
SIMPLE / SINGLE 1,20 x 2,11	MEP.S.121.APM	MEP.M.121.APM	MEP.L.121.APM	MEP.X.121.APM
SIMPLE / SINGLE 92,5 x 2,40	MEP.S.924.APM	MEP.M.924.APM	MEP.L.924.APM	MEP.X.924.APM
SIMPLE / SINGLE 1,20 x 2,40	MEP.S.124.APM	MEP.M.124.APM	MEP.L.124.APM	MEP.X.124.APM

MARCO DE ALUMINIO EXTENSIBLE HOJA DE 40mm Y 45mm REFORZADO CON PLOMO LACADO SEGÚN CARTA RAL
40-45mm DOOR THICK RAL COD. POWDER COATED EXTENDABLE ALUMINIUM FRAME LEAD REINFORCED

MEDIDA MÁXIMA DE HOJA MAXIMUM WIDTH DOOR	S TABIQUE / PARTITION 70-100mm	M TABIQUE / PARTITION 100-130mm	L TABIQUE / PARTITION 130-160mm	XL TABIQUE / PARTITION 160-190mm
SIMPLE / SINGLE 92,5 x 2,11	MEP.S.921.L	MEP.M.921.L	MEP.L.921.L	MEP.X.921.L
SIMPLE / SINGLE 1,20 x 2,11	MEP.S.121.L	MEP.M.121.L	MEP.L.121.L	MEP.X.121.L
SIMPLE / SINGLE 92,5 x 2,40	MEP.S.924.L	MEP.M.924.L	MEP.L.924.L	MEP.X.924.L
SIMPLE / SINGLE 1,20 x 2,40	MEP.S.124.L	MEP.M.124.L	MEP.L.124.L	MEP.X.124.L

DIVISIONES HORIZONTALES

HORIZONTAL DOOR DIVISION

ADINOR

DIVISIONES HORIZONTALES PARA PUERTAS CON MARCOS DE ALUMINIO

HORIZONTAL PARTITION ALUMINIUM FRAME

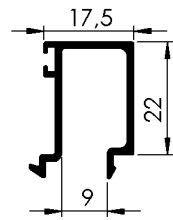
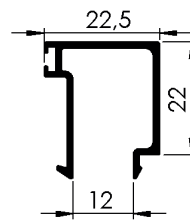
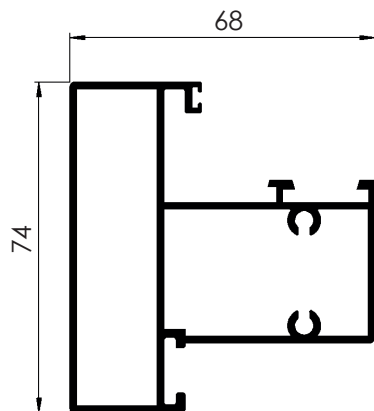
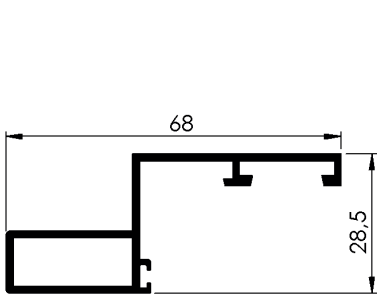
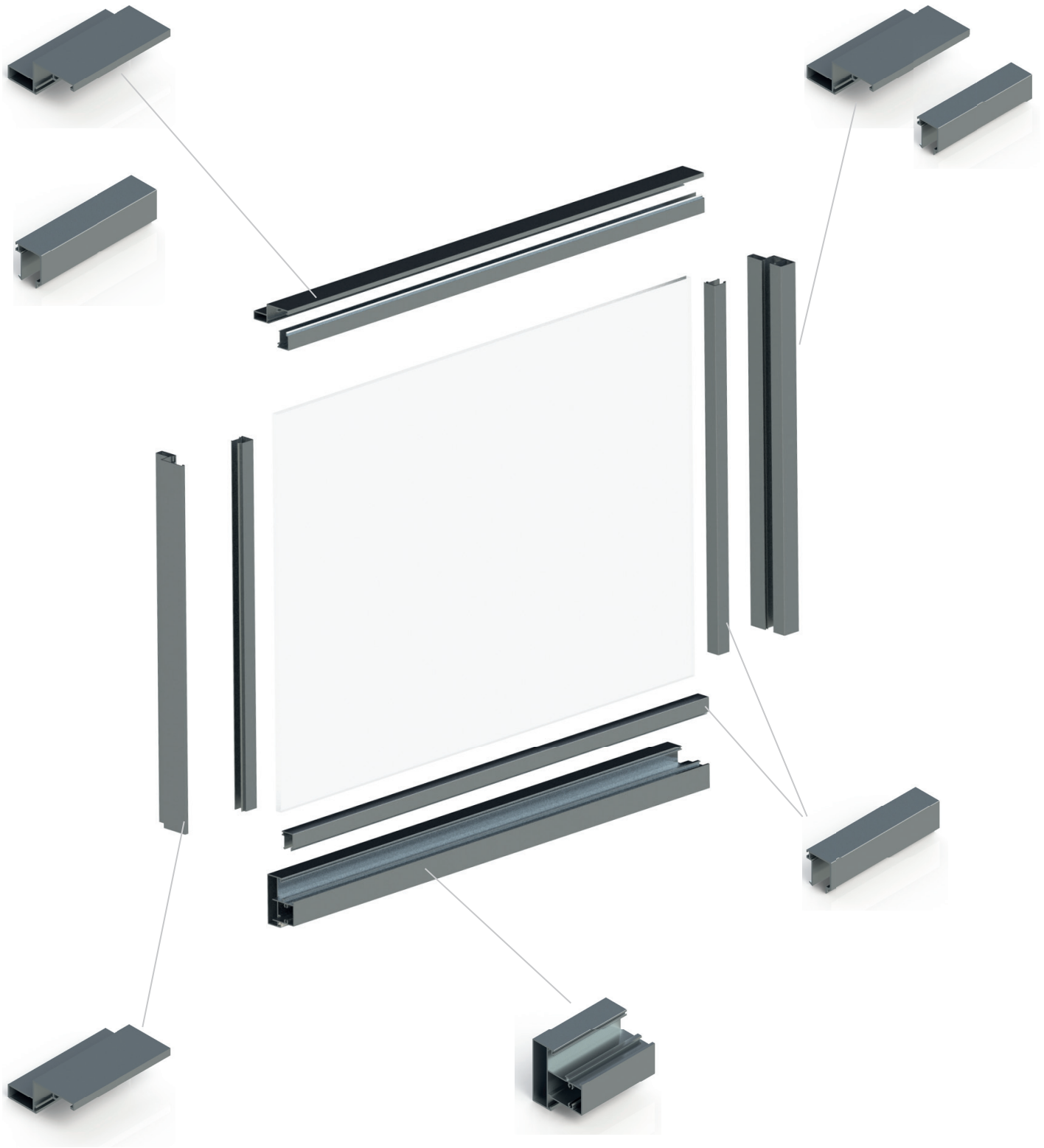


ANODIZADO PLATA MATE / NATURAL ANODICED

TABIQUE / PARTITION	REF.
"S" TABIQUE / PARTITION 70-100mm	ME.DH.APM.S
"M" TABIQUE / PARTITION 100-130mm	ME.DH.APM.M
"L" TABIQUE / PARTITION 130-160mm	ME.DH.APM.L
"XL" TABIQUE / PARTITION 160-190mm	ME.DH.APM.XL

LACADO CARTA RAL / RAL COD. POWDER COATED

TABIQUE / PARTITION	REF.
"S" TABIQUE / PARTITION 70-100mm	ME.DH.L.S
"M" TABIQUE / PARTITION 100-130mm	ME.DH.L.M
"L" TABIQUE / PARTITION 130-160mm	ME.DH.L.L
"XL" TABIQUE / PARTITION 160-190mm	ME.DH.L.XL



MARCOS
ALUMINIO

**DIVISIONES
VERTICALES**

VERTICAL DOOR

DIVISION

ADINOR

DIVISIONES VERTICALES PARA PUERTAS CON MARCOS DE ALUMINIO

VERTICAL PARTITION ALUMINIUM FRAME



ANODIZADO PLATA MATE / NATURAL ANODICED

TABIQUE / PARTITION	REF.
"S" TABIQUE / PARTITION 70-100mm	ME.MF.APM.S
"M" TABIQUE / PARTITION 100-130mm	ME.MF.APM.M
"L" TABIQUE / PARTITION 130-160mm	ME.MF.APM.L
"XL" TABIQUE / PARTITION 160-190mm	ME.MF.APM.XL

LACADO CARTA RAL / RAL COD. POWDER COATED

TABIQUE / PARTITION	REF.
"S" TABIQUE / PARTITION 70-100mm	ME.MF.L.S
"M" TABIQUE / PARTITION 100-130mm	ME.MF.L.M
"L" TABIQUE / PARTITION 130-160mm	ME.MF.L.L
"XL" TABIQUE / PARTITION 160-190mm	ME.MF.L.XL

